

MEN' S SINGLES

1 (KOR) KIM DONG-HOON		ANASTA VICENTE ELBERTO (PHI) 26	
2 (CAM) PEL VANNY	2	1	IBRAGIMOV RUSLAN (KAZ) 27
3 (MGL) TSOGBADRAXH BILGUUN	1	0	DOONG JO HSIEN NIGEL (MAS) 28
4 (TPE) CHUAN CHIH	1	2	LIAMPHAIBOON CHAIWIT (THA) 29
5 (IND) MISHRA SHANISH MANI	0	1	AAA AAA (TJK) 30
6 (MAS) SOMIUN DARON MOHD SAFIE	0	2	LAM CHI FONG (MAC) 31
7 (JPN) FUNEMIZU HAYATO	2	3	ZHOU MO (CHN) 32
8 (TPE) CHEN TSUNG - WEN	2	0	LE PHUOC VINH (VIE) 33
9 (INA) BHAKTI ANUGERAH MUHAMMAD HEMAT	0	2	KHAMPHOUMY ANANDONE (LAO) 34
10 (JPN) UEMATSU TOSHIKI	1	3	PUTUWAR NAGARKOTI RAJU (NEP) 35
11 (PHI) RAMISCAL VINCE CARLO	1	1	BOLORTUYA ENKHJIN (MGL) 36
12 (MAC) CHAN KUN CHI	0	1	YI SASARITH (CAM) 37
13 (JPN) MASUDA KENTO	1	1	DHIMAN ROHIT (IND) 38
14 (KOR) SEO KUEON	0	3	SIE ELBERT (INA) 39
15 (CHN) LIU ZHAXIN	2	2	MIRZAEV HUSHNUDBEK (KAZ) 40
16 (THA) RATTHAPOBKORRAPAK WORRANUN	0	1	BHANDARI KAMAL BAHADUR (NEP) 41
17 (JPN) FUNEMIZU YUTA	3	2	MANDURIAO MIKOFF (PHI) 42
18 (KAZ) TSOY ALEXANDR	0	1	LIM ZHIN HONG BRANDON (MAS) 43
19 (TPE) DU SIAN-HAN	3	0	HUANG YIPING (CHN) 44
20 (KOR) KIM JAE-BOK	1	3	ALTANKHUAYAG DAMDIN (MGL) 45
21 (LAO) KEODALASOUK DONEDY	0	1	KANN SOPHORN (CAM) 46
22 (JPN) UCHIMOTO TAKAFUMI	1	0	IBRAHIM MUHAMMAD (PAK) 47
23 (VIE) LAM QUANG TRI	0	1	MEENA JAY (IND) 48
24 (NEP) KHATRI PRADIP	R	0	VANNASAK SOMXAY (LAO) 49
25 (JPN) NAGAE KOICHI	2	0	NG CHI WENG (MAC) 50
		0	UAYPORN SORRACHET (THA) 51



WOMEN' S SINGLES

1 (TPE) CHENG CHU - LING		SRIRUNGREANG DARES (THA) 26
2 (NEP) SHRESTHA MEGHA		PRAKASH SAAYANA SREEDETHA (IND) 27
3 (VIE) PHAN NHU QUYNH	0	CHONG XING QI LEVIANCE (MAS) 28
4 (JPN) FUKASAWA AKIE	3	AAA AAA (TJK) 29
5 (KAZ) KUZMENKO YELIZAVETA	0	FELKER TATYANA (KAZ) 30
6 (CHN) MA YUE	0	HOI LOK I (MAC) 31
7 (JPN) HIRAKUBO ASUMI	2	FENG ZIXUAN (CHN) 32
8 (TPE) HSU YU-TUNG	0	RAI CHANDRAMAYA (NEP) 33
9 (IND) TIWARI AADHYA	0	CATINDIG PRINCESS LORBEN (PHI) 34
10 (JPN) NAKAGAWA MIZUKI	2	ENKHBAATAR SOLONGO (MGL) 35
11 (THA) KRAIYA SUNATCHA	0	METH MARIYAN (CAM) 36
12 (LAO) CHAMPAMANIVONG PHONESAMAI	0	KAWENGIN ANADELEYDA (INA) 37
13 (KOR) KIM JI-YEON	1	BULGAN NOROVSUREN (MGL) 38
14 (TPE) FENG TZU-YU	2	WANG YUFEI (CHN) 39
15 (MGL) BATAA CHINMURUN	1	KERDSOMBOON NATCHATJIRA (THA) 40
16 (PHI) SAGUIPED ANA MARGARITA	0	TRAN THANH HOANG NGAN (VIE) 41
17 (JPN) IZUTANI TOMOKA	0	NAMITA SETH (IND) 42
18 (CAM) CHIN SREYLOY	0	KAN MING JIE (MAS) 43
19 (KOR) KIM YOUNG-HAI	2	MANIPHONE ALIYA (LAO) 44
20 (KOR) MUN HYE-GYEONG	3	RIN SOTHEARY (CAM) 45
21 (MAS) HO JIE ER	0	YASMEEN TAHIRA (PAK) 46
22 (JPN) KAKIZAKI AYANO	1	RANJIT ELIZA (NEP) 47
23 (INA) ARASY SITI NUR	0	SULTANGAZINA GULYUM (KAZ) 48
24 (MAC) KAMEYAMA KAORI	0	MANALAC NOELLE CONCHITA CORAZON (PHI) 49
25 (JPN) TOKUGAWA MANAMI	2	

Tatsuo Kasai



MEN' S DOUBLES

1	(KOR) KIM DONG-HOON KIM BEOM-JUN						3	ALANO DAVIS MANDURIAO MIKOFF (PHI) 24
2	(NEP) RAUT KRISHNA BAHADUR JHA ABHISHEK AMAN	0					0	LIAMPHAIBOON CHAIWIT THANSIROJ SAKAN (THA) 25
3	(JPN) MASUDA KENTO KATSURA TAKUYA	4	4				R	NAREMBAEV TALGAT FELKER DANIIL (KAZ) 26
4	(CAM) KANN SOPHORN ORN SAMBATH							FUNEMIZU HAYATO UEMATSU TOSHIKI (JPN) 27
5	(PAK) IBRAHIM MUHAMMAD EHTISHAM MUHAMMAD AHMED		0				0	ZHOU MO HUANG YIPING (CHN) 28
6	(PHI) ARCILLA JOSEPH ANASTA VICENTE ELBERTO	1	1				0	TSOGBADRACH BILGUUN GANBOLD CHINGGISBOLD (MGL) 29
7	(IND) SHUKLA KAMLESH KUMAR MISHRA SHANISH MANI	1					4	SIMPATIAJI PRIMA PRAMONO HENDRI SUSILO (INA) 30
8	(CHN) LIN CHENGWEI LIU ZHAXIN						2	FUNEMIZU YUTA TAKATSUKI TAKUMA (JPN) 31
9	(JPN) UCHIMOTO TAKAFUMI MARUYAMA KAITO						1	CHEA SENVISOTH YI SASARITH (CAM) 32
10	(MAC) LAM CHI FONG NG CHI WENG	0					0	SOMIUN DARON MOHD SAFIE DOONG JO XERN JESSEL (MAS) 33
11	(TPE) CHEN TSUNG - WEN CHUAN CHIH		2					KIM JAE-BOK KIM BO-HOON (KOR) 34
12	(MGL) ALTANKHUAYAG DAMDIN BOLORTUYA ENKHJIN		1				1	LIU CHIA-LUN DU SIAN-HAN (TPE) 35
13	(VIE) NGUYEN HUU NGHIA LAM QUANG TRI	2					1	PHONGSAVANH KHANTHANOU KEODALASOUK DONEDY (LAO) 36
14	(INA) HENDRAWAN IRFANDY SETIAWAN PRISCA TITAN		1				2	ENKHBAATAR TELMEN BAYARMAA BILGUUN (MGL) 37
15	(LAO) KHAMPHOUMY ANANDONE VANNASAK SOMXAY		0				R	MEHLDA JITENDER MOHAMMED NASIR (IND) 38
16	(MAS) LIM ZHIN HONG BRANDON DOONG JO HSIEN NIGEL	1					2	UAYPORN SORRACHET RATTHAPOBKORRAPAK WORRANUN (THA) 39
17	(JPN) MIZUSAWA YUTA NAGAE KOICHI						4	NAM TEAK-HO SEO KUEON (KOR) 40
18	(THA) SURARAK THANARIT SONGWEERA TORLARP		1				R	MIRZAEV HUSHNUDBEK KUZMENKO ALEXANDR (KAZ) 41
19	(NEP) BHANDARI KAMAL BAHADUR KHATRI PRADIP						0	SUBBA MANOJ PUTUWAR NAGARKOTI RAJU (NEP) 42
20	(KAZ) IBRAGIMOV RUSLAN TSOY ALEXANDR	R	R				0	LI ZE XIE ZHIZHOU (CHN) 43
21	(CAM) DIM SOMSOMBATH PEL VANNY	4	4				1	MAMAWAL KEVIN FRAZ RAMISCAL VINCE CARLO (PHI) 44
22	(IND) DHIMAN ROHIT MEENA JAY							SHINOHARA HIDENORI KOBAYASHI KOJI (JPN) 45
23	(TPE) YU KAI - WEN YEH HSIU-HAO							

Tatus Kasan



WOMEN' S DOUBLES

1	(TPE) CHENG CHU - LING HUANG YU-CHEN	1						MORITA NAO KAMIYA ERINA	(JPN) 21
2	(JPN) TOKUGAWA MANAMI HIRAKUBO ASUMI							YEAN SOKKHOEUN KHI MENGCHUONG	(CAM) 22
3	(NEP) CHAUDHARY GEORGIA SHARMA KRIPA							LAI QIANPEI MA YUE	(CHN) 23
4	(CHN) ZHANG YICHAN WANG YUFEI							TIWARI AADHYA MEHRA ABHILASHA	(IND) 24
5	(IND) NAMITA SETH KHAN MARIYAM							KRAIYA SUNATCHA BUNTENG THATDAO	(THA) 25
6	(MAS) KAN MING JIE CHONG XING QI LEVIANCE							BULGAN NOROVSUREN ENKHBAAATAR SOLOGO	(MGL) 26
7	(JPN) KAKIZAKI AYANO KUROKI RURIKA							MANIPHONE ALIYA CHAMPAMANIVONG PHONESAMAI	(LAO) 27
8	(CAM) BO TINGHUY CHIN SREYLOY							BARAL PREETY RANJIT ELIZA	(NEP) 28
9	(PHI) ARZAGA ODESSA MARIEL VILORIA ALYANNA							FENG TZU-YU CHANG YU-WEI	(TPE) 29
10	(KOR) HAN WOO-REE PARK DA-SOM							RAHAYU PITRI DWI KUSRINI DEDE TARI	(INA) 30
11	(JPN) NAKAGAWA MIZUKI MORIHARA KANA							KUO CHINE- CHI HSU YU-TUNG	(TPE) 31
12	(THA) KERDSOMBOON NATCHATJIRA KANKANOK PITCHAKORN							FUKASAWA AKIE IZUTANI TOMOKA	(JPN) 32
13	(VIE) TRAN THANH HOANG NGAN PHAN NHU QUYNH							KEERIO MARYAM MUMTAZ MARIAM	(PAK) 33
14	(KOR) KIM YOUNG-HAI MUN HYE-GYEONG							CATINDIG PRINCESS LORBEN SAGUIPED ANA MARGARITA	(PHI) 34
15	(KAZ) FELKER TATYANA SULTANGAZINA GULYUM							FENG ZIXUAN WANG YUNRU	(CHN) 35
16	(CAM) RIN SOTHEARY METH MARIYAN							HOI LOK I KAMEYAMA KAORI	(MAC) 36
17	(NEP) RAI CHANDRAMAYA SHRESTHA MEGHA							SUGIWAKI MAYUKO SASAKI SEIKA	(JPN) 37
18	(INA) ARASY SITI NUR LONTOH ANGELICA IRENE							SRIRUNGREANG DARES KROMSURIYASAK PHETCHARADA	(THA) 38
19	(IND) GULATI SHUBH PRAKASH SAAYANA SREEDETHA							HO JIE ER CHIN YA HUI FAYE	(MAS) 39
20	(PHI) MARALAC NOELLE CONCHITA CORAZON PERALTA ERDILYN							KIM JI-YEON KO EUN-JI	(KOR) 40

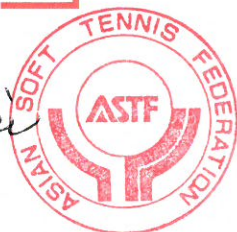
Tatsuo Kasai



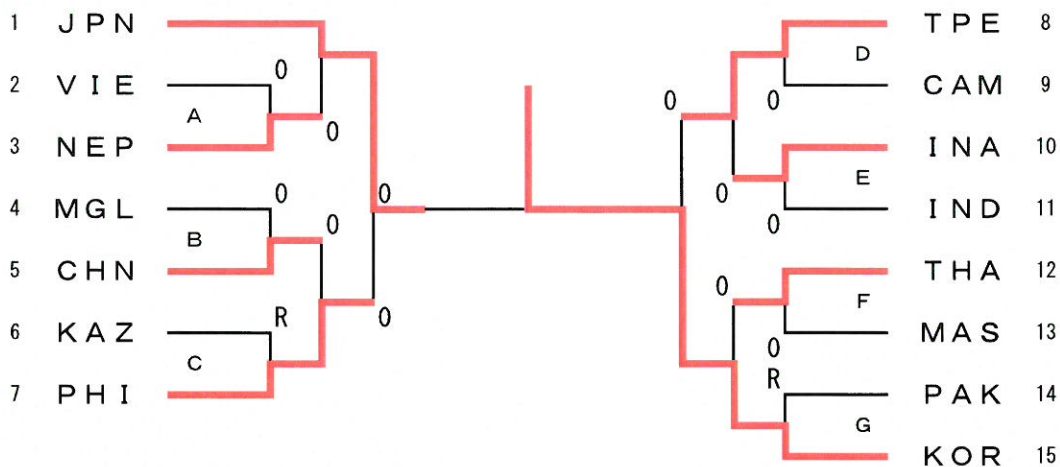
MIXED DOUBLES

1 (JPN)	MORITA NAO TAKATSUKI TAKUMA						ANASTA VICENTE ELBERTO MARALAC NOELLE CONCHITA CORAZON (PHI) 27
2 (NEP)	BHANDARI KAMAL BAHADUR BARAL PREETY	3	2	0	0	0	IBRAGIMOV RUSLAN KUZMENKO YELIZAVETA (KAZ) 28
3 (LAO)	PHONGSAVANH KHANTHANOU MANIPHONE ALIYA	0		1	0	R	EHTISHAM MUHAMMAD AHMED KEERIO MARYAM (PAK) 29
4 (JPN)	FUNEMIZU HAYATO SASAKI SEIKA						KERDSOMBOON NATCHATJIRA UAYPORN SORRACHET (THA) 30
5 (MGL)	ENKHBAATAR TELMEN BATAA CHINMURUN	0			0		LIN CHENGWEI WANG YUNRU (CHN) 31
6 (CAM)	ORN SAMBATH CHIN SREYLOY	0					SUBBA MANOJ RAI CHANDRAMAYA (NEP) 32
7 (KOR)	KIM BO-HOON HAN WOO-REE	3		0	0	0	LIM ZHIN HONG BRANDON KAN MING JIE (MAS) 33
8 (KOR)	KO EUN-JI KIM DONG-HOON	2	2		1		ALTANKHUAYAG DAMDIN ENKHBAATAR SOLOGO (MGL) 34
9 (MAS)	DOONG JO XERN JESSEL HO JIE ER	0			2		PRAKASH SAAYANA SREEDETHA MOHAMMED NASIR (IND) 35
10 (JPN)	SUGIWAKI MAYUKO UEMATSU TOSHIKI				4	4	KHAMPHOUMY ANANDONE CHAMPAMANIVONG PHONESAMAI (LAO) 36
11 (PHI)	MANDURIAO MIKOFF PERALTA ERDILYN	4	2	0		2	LE PHUOC VINH TRAN THANH HOANG NGAN (VIE) 37
12 (INA)	SIMPATIAJI PRIMA KAWENGIN ANADELEYDA						DIM SOMSOBATH RIN SOTHEARY (CAM) 38
13 (TPE)	CHANG YU-WEI YEH HSIU-HAO						PRAMONO HENDRI SUSILO RAHAYU PITRI DWI (INA) 39
14 (CHN)	ZHOU MO WANG YUFEI				3		KIM BEOM-JUN KIM JI-YEON (KOR) 40
15 (CAM)	YI SASARITH METH MARIYAN	2				3	CHAN KUN CHI KAMEYAMA KAORI (MAC) 41
16 (MGL)	BOLORTUYA ENKHJIN BULGAN NOROVSUREN	4			0		KHAN MARIYAM SHUKLA KAMLESH KUMAR (IND) 42
17 (KAZ)	MIRZAEV HUSHNUDBEK SULTANGAZINA GULYUM	0			2		TOKUGAWA MANAMI MARUYAMA KAITO (JPN) 43
18 (NEP)	PUTUWAR NAGARKOTI RAJU SHRESTHA MEGHA				0		XIE ZHIZHOU MA YUE (CHN) 44
19 (PHI)	ALANO DAVIS ARZAGA ODESSA MARIEL	3	3		3		KUO CHINE- CHI YU KAI - WEN (TPE) 45
20 (MAC)	LAM CHI FONG HOI LOK I	0		1			HUANG YU-CHEN LIU CHIA-LUN (TPE) 46
21 (VIE)	LAM QUANG TRI PHAN NHU QUYNH				4	0	BUNTENG THATDAO SONGWEERA TORLARP (THA) 47
22 (TJK)	AAA AAA BBB BBB	R			0		FELKER DANIIL FELKER TATYANA (KAZ) 48
23 (PAK)	IBRAHIM MUHAMMAD YASMEEN TAHIRA	R	R				KATSURA TAKUYA KAMIYA ERINA (JPN) 49
24 (MAS)	DOONG JO HSIEN NIGEL CHONG XING QI LEVIANCE	0	2		3	0	NGUYEN HUU NGHIA NGUYEN THI KIEU MY (VIE) 50
25 (IND)	GULATI SHUBH MEHLDA JITENDER					R	ANIS SHOAI B MUMTAZ MARIAM (PAK) 51
26 (THA)	KANKANOK PITCHAKORN THANSIROJ SAKAN						NAKAGAWA MIZUKI NAGAE KOICHI (JPN) 52

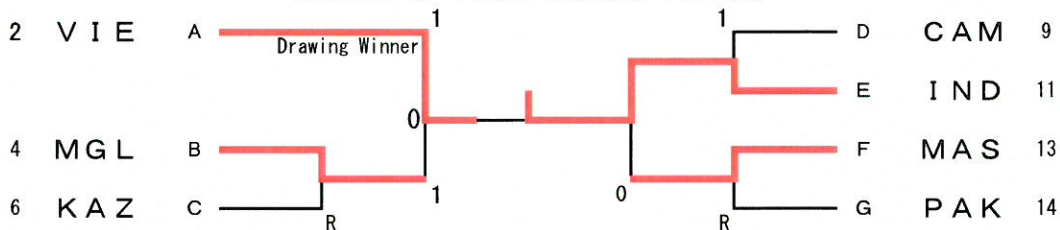
Jatsuo Kasai



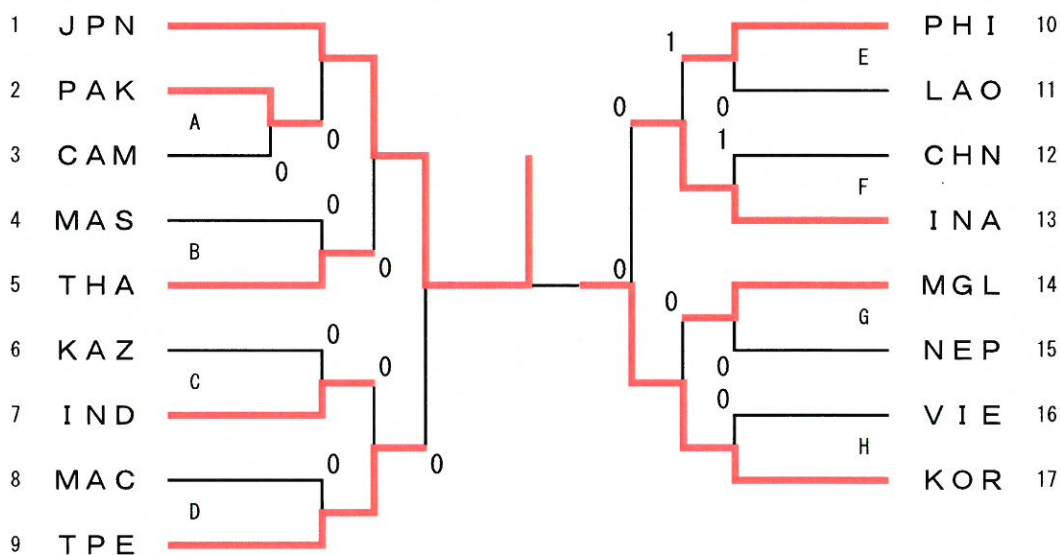
WOMEN'S TEAM EVENT



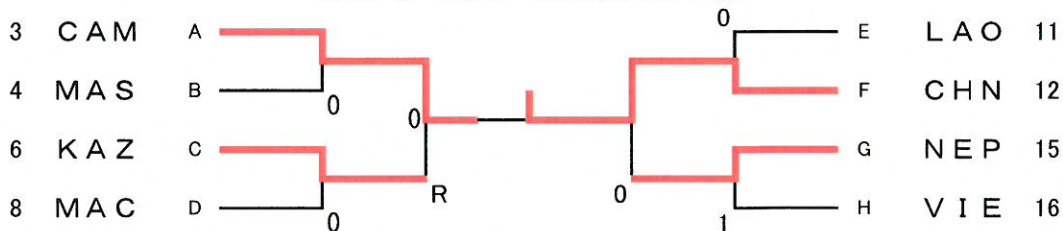
WOMEN'S TEAM CONSOLATION



MEN'S TEAM EVENT



MEN'S TEAM CONSOLATION



Jatsuo Kasai

